

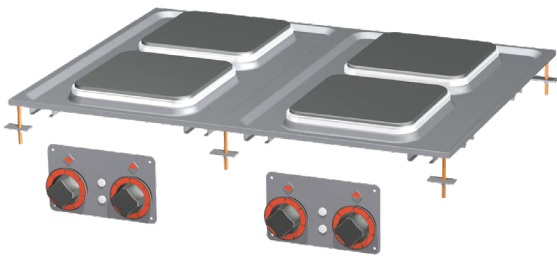
# Technical data sheet

## Product features



### Cooking range drop-in electric 4x drop-in plate 400 V

|              |                 |          |
|--------------|-----------------|----------|
| <b>Model</b> | <b>SAP Code</b> | 00007443 |
|--------------|-----------------|----------|



- Device type: Electric unit
- Power consumption of the zone 1 [kW]: 2,6
- Power consumption of the zone 2 [kW]: 2,6
- Power consumption of the zone 3 [kW]: 2,6
- Power consumption of the zone 4 [kW]: 2,6
- Protection of controls: IPX5
- Material: Stainless steel

|                            |          |   |                    |
|----------------------------|----------|---|--------------------|
| <b>SAP Code</b>            | 00007443 | <b>Loading</b>                              | 400 V / 3N - 50 Hz |
| <b>Net Width [mm]</b>      | 800      | <b>Number of zones</b>                      | 4                  |
| <b>Net Depth [mm]</b>      | 600      | <b>Power consumption of the zone 1 [kW]</b> | 2,6                |
| <b>Net Height [mm]</b>     | 50       | <b>Power consumption of the zone 2 [kW]</b> | 2,6                |
| <b>Net Weight [kg]</b>     | 31.00    | <b>Power consumption of the zone 3 [kW]</b> | 2,6                |
| <b>Power electric [kW]</b> | 10.400   | <b>Power consumption of the zone 4 [kW]</b> | 2,6                |

# Technical data sheet

Technical drawing

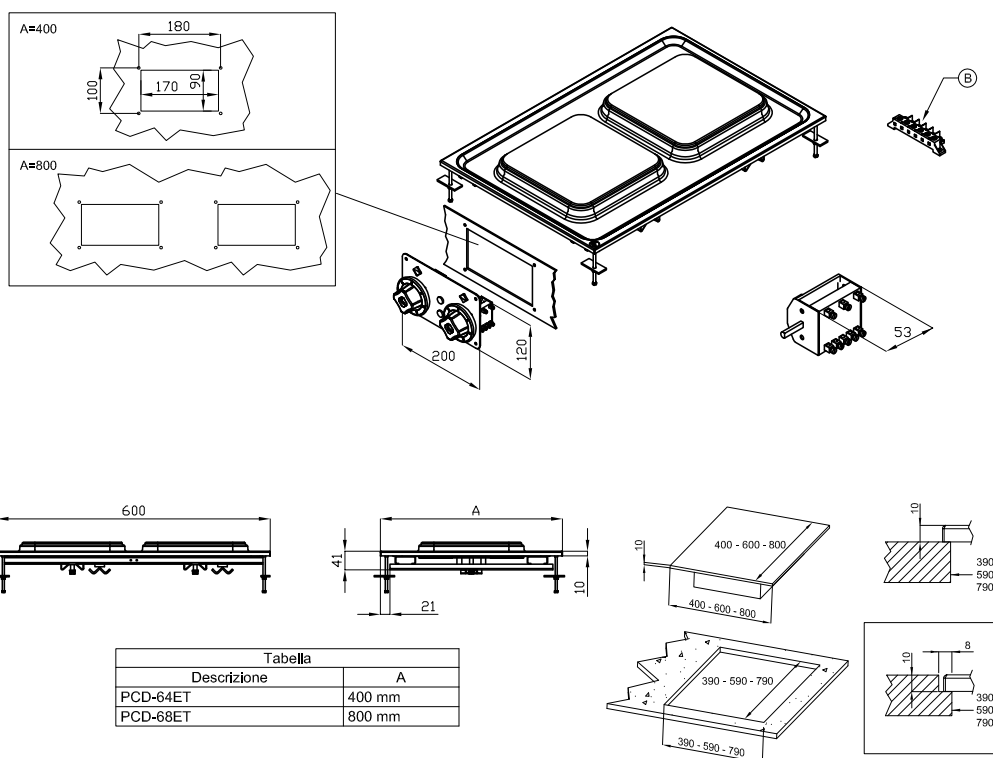


Cooking range drop-in electric 4x drop-in plate 400 V

Model

SAP Code

00007443



|   |            |  |   |                       |  |
|---|------------|--|---|-----------------------|--|
| A | Data plate |  | B | Electrical connection |  |
|---|------------|--|---|-----------------------|--|

# Technical data sheet

## Product benefits



### Cooking range drop-in electric 4x drop-in plate 400 V

Model

SAP Code

00007443

1

#### Square plates

quick warm-up  
efficient cooking on a round surface with easy  
adhesion to dishes

- time-saving in food preparation
- easy to use thanks to the large surface area of the  
cooking plates

2

#### Internal thermostatic plate protection

longer service life of the plates

- no overheating of the plates and no cracking

3

#### Degree of protection of the control elements IPX5

maintenance-free system  
resistance to splash water  
long life

- savings on service interventions
- easy cleaning and maintenance of equipment

4

#### All-stainless design

the material does not cut  
wear resistance of the material  
long life

- savings on service interventions
- easy cleaning and maintenance of equipment

5

#### Hygienic moldings of the top plate

absence of sharp corners and edges (potential places  
where dirt could stick)  
smooth transitions

- easy quick cleaning

6

#### Variability

the possibility of attaching to a fixed plate as part  
of a monoblock  
the possibility of creating one module  
long life

- cost saving
- space saving
- long service life

# Technical data sheet

Technical parameters



## Cooking range drop-in electric 4x drop-in plate 400 V

**Model**

**SAP Code**

00007443

**1. SAP Code:**

00007443

**2. Net Width [mm]:**

800

**3. Net Depth [mm]:**

600

**4. Net Height [mm]:**

50

**5. Net Weight [kg]:**

31.00

**6. Gross Width [mm]:**

1080

**7. Gross depth [mm]:**

630

**8. Gross Height [mm]:**

470

**9. Gross Weight [kg]:**

38.00

**10. Device type:**

Electric unit

**11. Construction type of device:**

Drop-in

**12. Power electric [kW]:**

10.400

**13. Loading:**

400 V / 3N - 50 Hz

**27. Service accessibility:**

From the front by removing the front panel and waste fluid containers

**14. Protection of controls:**

IPX5

**15. Material:**

Stainless steel

**16. Worktop type:**

Molded - comfortable cleaning maintenance

**17. Worktop material:**

AISI 304

**18. Worktop Thickness [mm]:**

2.00

**19. Number of zones:**

4

**20. Power consumption of the zone 1 [kW]:**

2,6

**21. Power consumption of the zone 2 [kW]:**

2,6

**22. Power consumption of the zone 3 [kW]:**

2,6

**23. Power consumption of the zone 4 [kW]:**

2,6

**24. Maximum device temperature [°C]:**

300

**25. Minimum device temperature [°C]:**

50

**26. Number of power control stages:**

6

**30. Number of burners/hot plates:**

4

# Technical data sheet

Technical parameters



## Cooking range drop-in electric 4x drop-in plate 400 V

|              |                 |          |
|--------------|-----------------|----------|
| <b>Model</b> | <b>SAP Code</b> | 00007443 |
|--------------|-----------------|----------|

---

### 28. Safety element:

internal thermostatic protection of the hotplate against overheating

---

---

### 31. Type of electric cooking zones:

Squared

---

### 29. Safety thermostat:

Yes